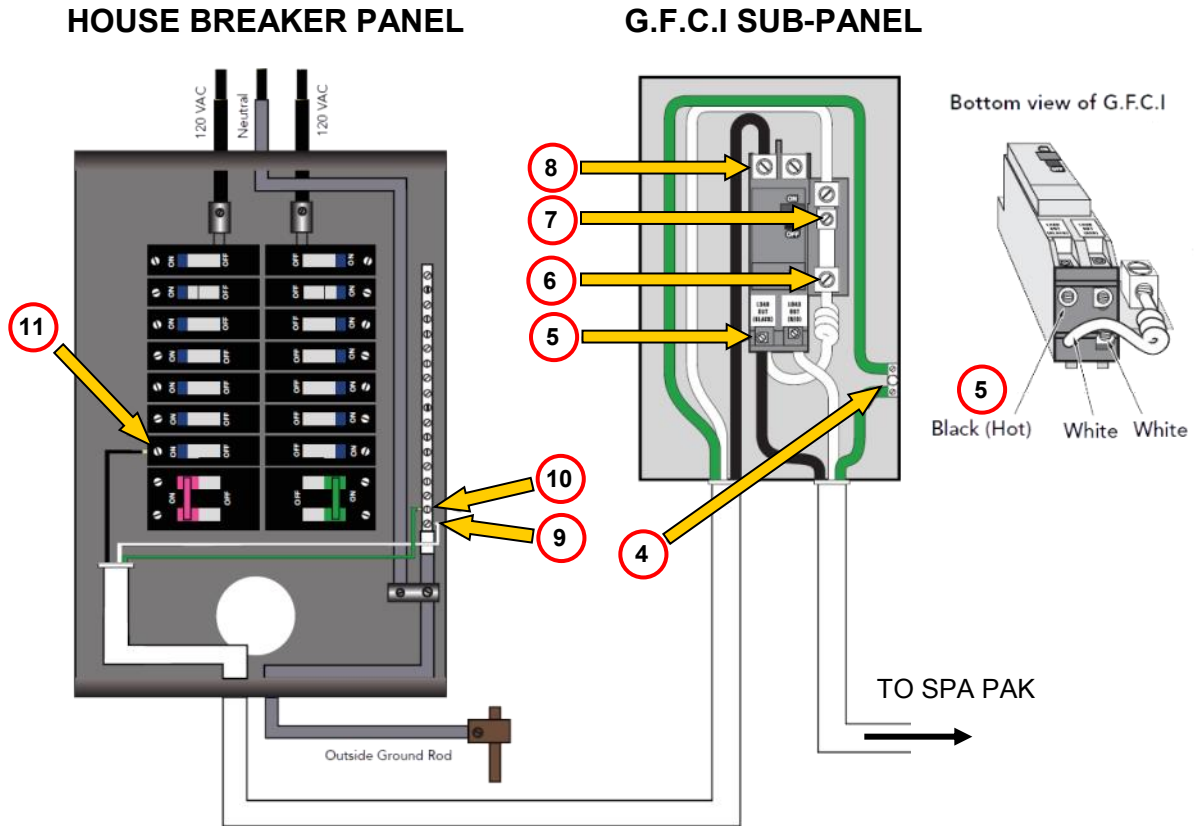


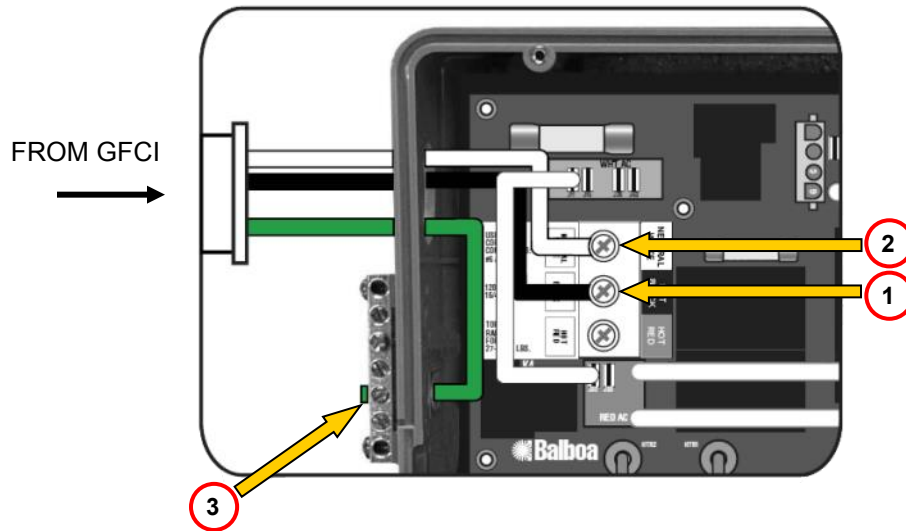
120 VOLT WIRING SCHEMATIC WITH G.F.C.I.



Bottom view of G.F.C.I

5
Black (Hot) White White

SPA PAK SYSTEM BOX

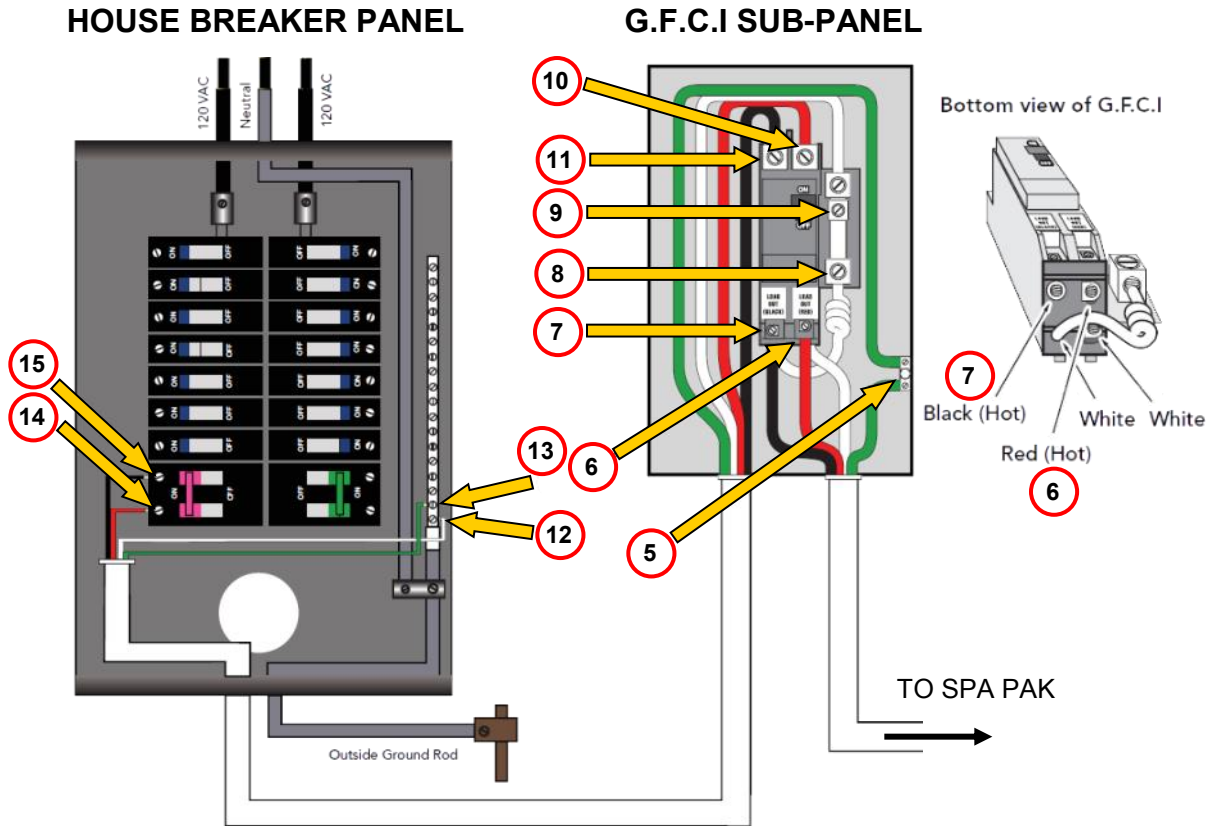


VOLTAGE VERIFICATION	
CORRECT VOLTAGE	PROBE LOCATIONS
0V	(2-3) (4-6) (4-7) (5-8) (9-10)
108V - 132V	(1-3) (4-5) (4-8) (5-6) (5-9) (6-8) (7-8) (9-11) (10-11)

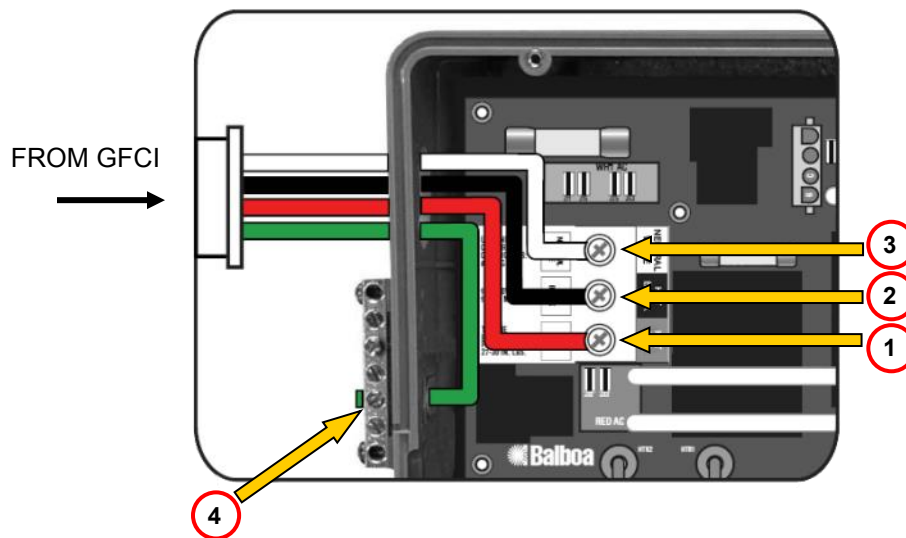
IMPORTANT

Neutral wire from hot tub must be inserted into the load neutral screw on the GFCI as shown in the diagram above.

240 VOLT WIRING SCHEMATIC WITH G.F.C.I.



SPA PAK SYSTEM BOX



VOLTAGE VERIFICATION

CORRECT VOLTAGE	PROBE LOCATIONS
0V	(3-4) (5-8) (5-9) (12-13)
108V - 132V	(1-3) (5-6) (5-10) (12-14) (13-14) (2-3) (5-7) (5-11) (12-15) (13-15)
216V - 264V	(1-2) (6-7) (10-11) (14-15)

IMPORTANT

Neutral wire from hot tub must be inserted into the load neutral screw on the GFCI as shown in the diagram above.